



IDV34/IDV44

DIRECT VENT GAS FIREPLACE INSERT



THE ULTIMATE IN DESIGN, ENGINEERING & QUALITY

Model IDV44N Direct Vent Fireplace Insert (Natural Gas), I44CV1BL Clean View Kit (Black), I44S4432BL Surround (Black), LOGF36 Log Set (Fibre Split Oak), IDV36RLT Refractory Brick Liner.



IDV34/IDV44

DIRECT VENT GAS FIREPLACE INSERT

Convert your wood burning fireplace to gas, for a new standard of warmth, beauty, safety and convenience.



STANDARD FEATURES

- Dual Burner with glowing embers
- Millivolt or IPI valve system allows operation during power failure with Hi-Low heat and flame adjustment
- Decorative Ash Bed
- Ceramic Glass
- On/Off Rocker switch
- Heat activated blower with variable speed control
- Bedroom and bed sitting room approval
- Mobile home, bedroom and bed sitting room approval

OPTIONAL FEATURES

Clean View Kit

Black (with Safety Screen Barrier)

Surrounds for Clean View

Black

Surround Picture Frame for Clean View

Black

Porcelain Reflective Liner

Brick Liner

Traditional and Herringbone (IDV44 only)

Log Set

Fibre Split Oak

Glass Tray

RSP10 (with Bronze Ember Glass)

Wall Mount Thermostat

Standard On/Off or Programmable

Remote Control

On/Off, Thermostat On/Off, Thermostat On/Off modulating



Traditional
Brick Liner RLT



Herringbone
Brick Liner RLH



Ember Glass
Bronze



LOGF35/LOGF36
Fibre Split Oak



THE ULTIMATE IN DESIGN, ENGINEERING & QUALITY

Model IDV34N Direct Vent Insert (Natural Gas), I34CV1BL Clean View Kit (Black), I34S3927BL Surround (Black), RSP10 Glass Support Platform with Bronze Ember Glass, IDV33PRL Porcelain Reflective Liner.

Model	IDV34N / IDV34NE	IDV34LP / IDV34LPE	IDV44N / IDV44NE	IDV44LP / IDV44LPE
Fuel	NATURAL	PROPANE	NATURAL	PROPANE
Input Max.	31,000 BTU	28,500 BTU	34,250 BTU	30,000 BTU
Input Min.	20,900 BTU	23,100 BTU	24,000 BTU	22,840 BTU
FE (P.4.1-15)	62.86% / 64.73%	63.63% / 65.63%	60.18% / 61.70%	60.18% / 61.85%
Flue Sizes	3/3"	3/3"	4/3"	4/3"

Model IDV34LP Direct Vent Fireplace Insert (Propane), LOGF35 Split Fibre Oak Log Set, I34CV6BL Clean View with Backer Surround (Black), IDV33RL Brick Liner.



IDV34

CLEAN VIEW KIT AND SURROUNDS

Minimum Fireplace Opening (in.)	Width	Height	Depth
IDV34 with I34CV1BL	28 5/8"	21 1/2"	17 3/4"
IDV34 with I34CV6BL	26 1/4"	21 3/8"	14 3/8"

Clean View Kits	Width	Height	Depth
I34CV1BL (Clean View)	35 1/4"	24 3/16"	13 1/16"
I34CV6BL (Clean View)	37 3/8"	26 13/16"	2 3/4"

Surround Kits	Width	Height
I34S3927BL (Surround)	39"	27 5/16"
I34SPF4131BL (Surround Picture Frame)	41 1/8"	31 3/8"
I34SU4541BL (Surround Universal)*	45"	41"

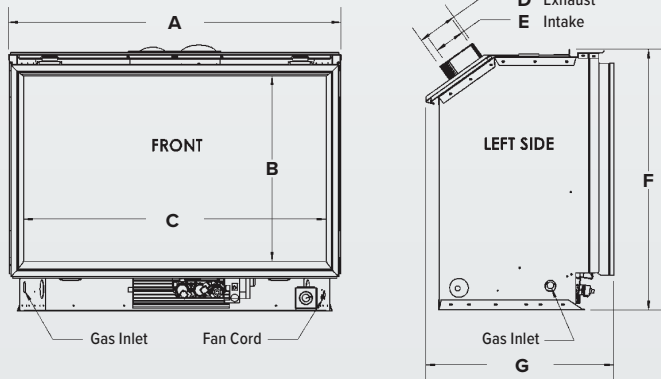
*Trim to Size

VENTING

IDVVT36	Vertical Vent Termination
IDVFK25	Flex Pipe Kit
IDVLCP	Block Off Plate – for Lower Chase
ZDV3FC	Flex Connector 3" Diameter

*MG Duravent (Order Kit #46DVA-CL33)

IDV34/IDV44 DIMENSIONS



IDV34 IDV44

A	28 5/8"	32 7/8"
B	14 1/8"	18 3/8"
C	25 5/8"	29 7/8"
D	3"	4"
E	3"	3"
F	21 3/8"	25 3/4"
G	18 1/4"	18 9/16"

IDV44

CLEAN VIEW KIT AND SURROUNDS

Minimum Fireplace Opening (in.)	Width	Height	Depth
IDV44	32 7/8"	25 3/4"	18"

Clean View Kits	Width	Height	Depth
I44CV1BL (Clean View)	39 9/16"	28 1/2"	13 1/16"

Surround Kits	Width	Height
I44S4432BL (Surround)	44"	32 1/16"
I44SPF4436BL (Surround Picture Frame)	44"	36"
I44SU4742BL (Surround Universal)*	47"	42"

*Trim to Size

VENTING

IDVVT43	Vertical Vent Termination
I43FK25	Flex Pipe Kit
I43LCP	Block Off Plate – for Lower Chase
ZDV3FC	Flex Connector 3" Diameter
ZDV4FC	Flex Connector 4" Diameter

*MG Duravent (Order Kit #46DVA-CL34)



2340 Logan Avenue
Winnipeg, Manitoba, Canada R2R 2V3
Phone: (204) 632-1962 Fax: (204) 632-1960
www.kingsmanfireplaces.com

IDV34/IDV44

DIRECT VENT GAS FIREPLACE INSERT



Canada
ENERGUIDE
Look for the **EnerGuide**
Gas Fireplace Energy
Efficiency Rating in this brochure
Based on CSA P.4.1-15

Model IDV34LP Direct Vent Fireplace Insert (Propane), LOGF35 Split Fibre Oak Log Set, I34CV1BL Clean View (Black), IDV33RL Refractory Brick Liner.



*Components may have to be ordered separately to create a complete unit. Discuss with your local Kingsman dealer for clarification.
Kingsman Fireplaces maintains a program of continuous testing, refinement and improvements of all its products. Some aspect of units shown here may be changed at any time without notice or obligation. Certification: The models IDV34 and IDV44 are certified for Canada/USA as a Vented Gas Fireplace Heater. ANSI Z21.88-2017 • CSA 2.33-2017



FOR CALIFORNIA RESIDENTS ONLY:
WARNING! This product can expose you to chemicals including Carbon Monoxide, that is an externally vented by-product of fuel consumption, which is [are] known to the State of California to cause birth defects or other reproductive harm. For more information, visit www.P65Warnings.ca.gov.



CRAFTED ENTIRELY IN CANADA, EACH KINGSMAN FIREPLACE IS BUILT TO THE HIGHEST STANDARDS AND MADE TO LAST.

Printed in Canada
11/19 – B103